

MONTAGEVARIANTE

ASSEMBLY VARIATION

VARIANTE DE MONTAGE

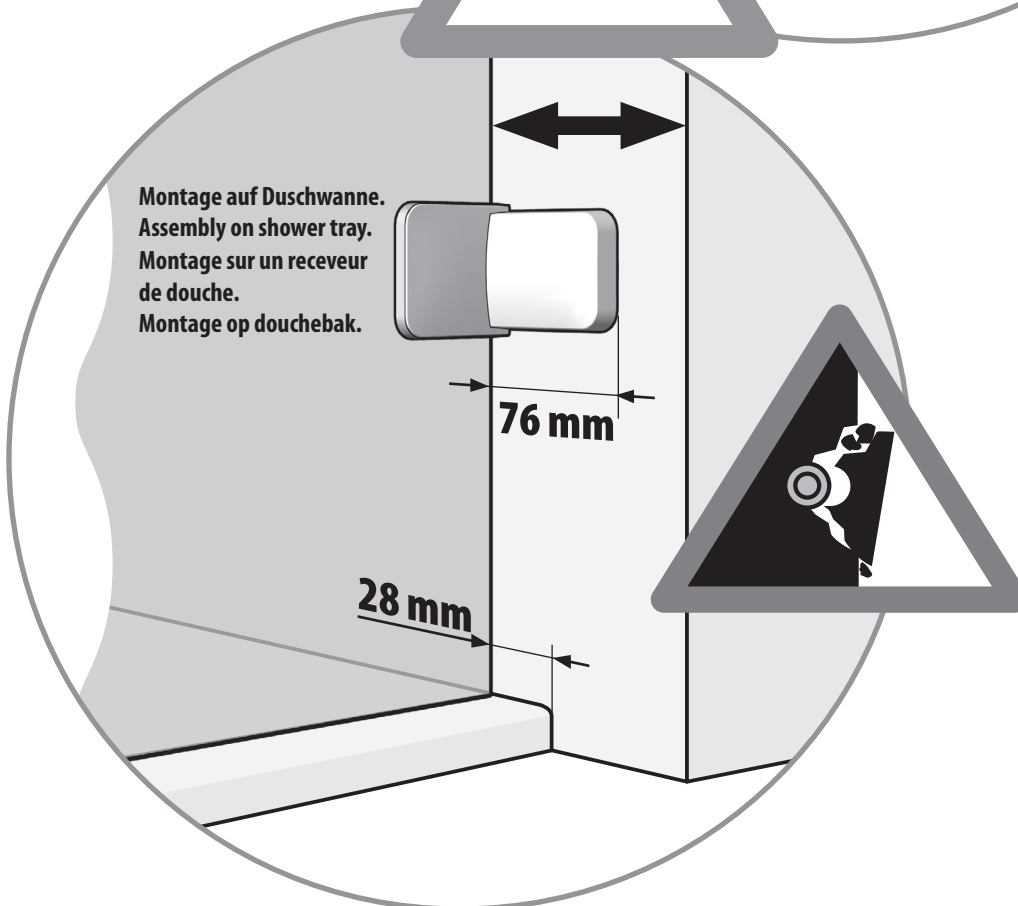
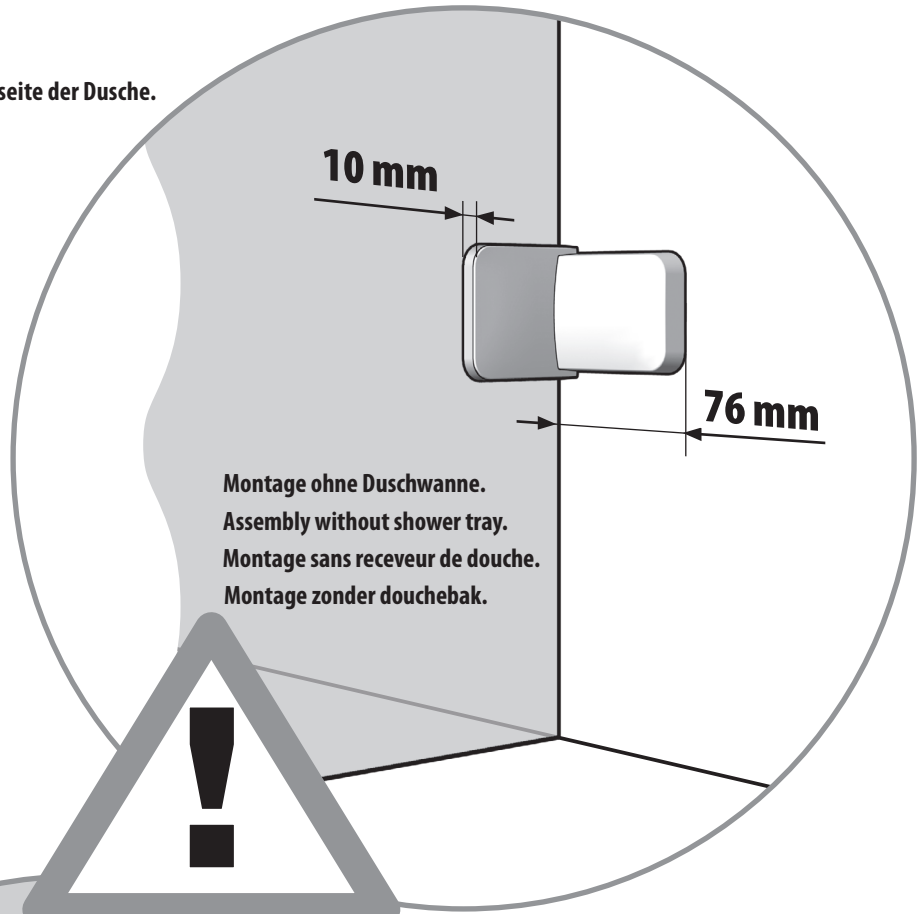
MONTAGEVARIANTE

DE Wandbefestigung an der Außenseite der Dusche.

EN Area of attachment on the outside.

FR Fixation murale à l'extérieur de la douche.

NL Wandbevestiging aan de buitenkant.



1

Step 1 shows the preparation of the wall. On the left, a circular inset shows a hand peeling a thin adhesive film from a rectangular plate. In the center, a vertical level is held against the wall to mark two points with dashed circles. On the right, a circular inset shows a pencil marking the wall through the level's holes, with the text "2x" indicating two marks.

2

Step 2 shows drilling and sealing. On the left, a circular inset shows a drill with a bit labeled "2x" and a bit labeled "Ø 8x40 mm". In the center, a tube of "Silikon" is applied to the marked points on the wall. On the right, a circular inset shows a warning icon: a lightning bolt, a triangle with an exclamation mark, and a drill with sparks and flames, indicating a risk of fire or electrical shock.

3

Step 3 shows the final mounting. On the left, a circular inset shows a screw being inserted into a hole, with a curved arrow indicating the direction. The screw is labeled "2x 6x60 mm". Below it is a star icon labeled "T 25" and a crossed-out silhouette of a person, indicating that the person should not touch the wall during installation. In the center, the rectangular plate is being pushed onto the wall. On the right, a circular inset shows the plate with a large "X" over it and the text "1x", indicating that only one plate is needed.

JUSTIEREN	ADJUST	AJUSTER	GOED AFSTELLEN
-----------	--------	---------	----------------

